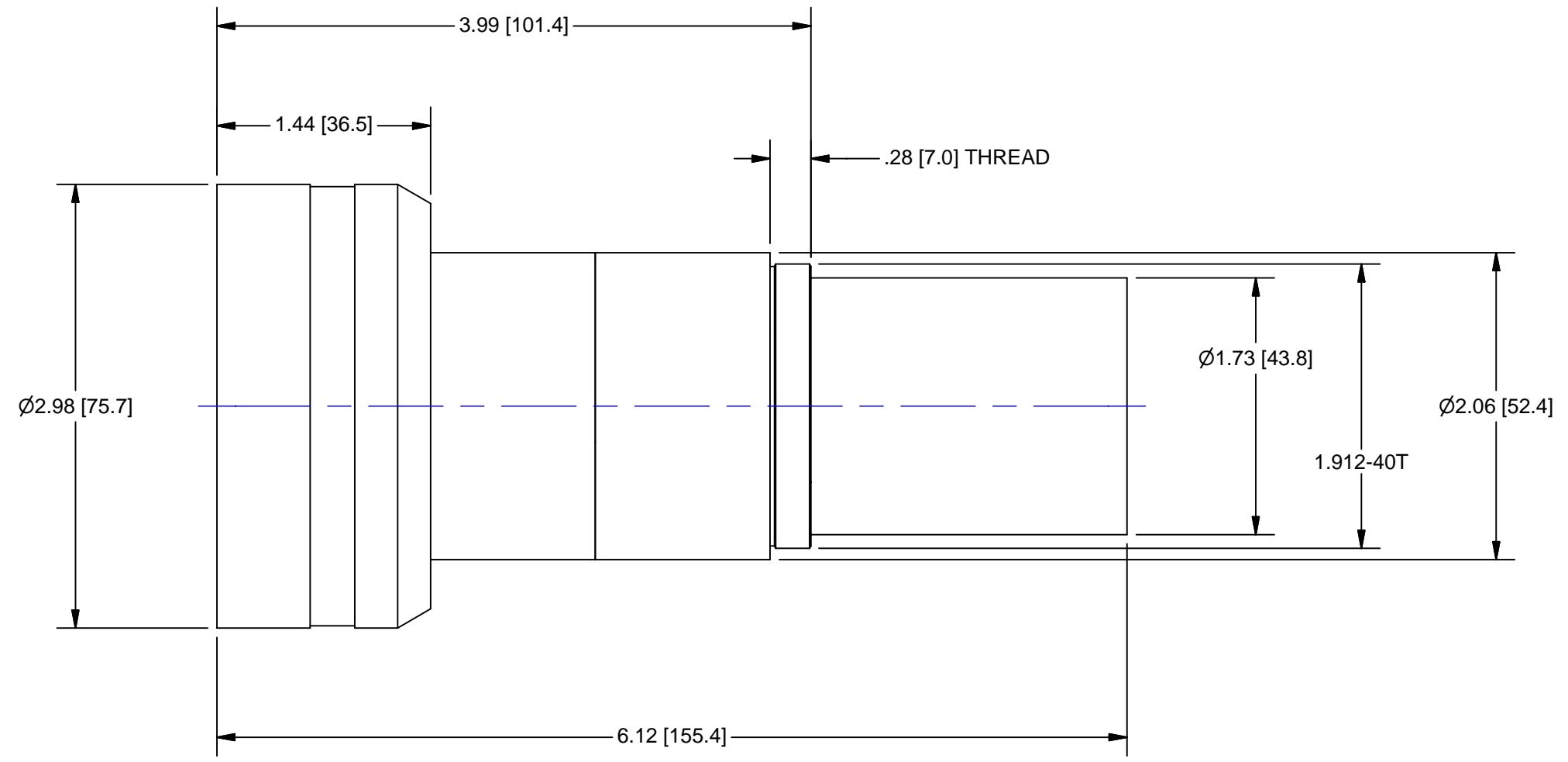


NOTES:  
1. DIMENSIONS ARE INCH[mm].

REVISION HISTORY			
REV	DESCRIPTION	DATE	APPROVED
A	RELEASE	11/4/2004	-



DATA:  
EFL: 25.6mm  
BFL @ INFINITY: 52.0mm  
WT: 1.62 LBS. [ 0.73 KG.]

# OUTLINE

USED ON:

MATERIAL:

UNLESS OTHERWISE SPECIFIED DIMENSIONS ARE IN INCHES AND INCLUDE CHEMICALLY APPLIED OR PLATED FINISHES

P/N SUFFIX DEFINITION

- 1 CONVERSION COATING
- 2 PAINTING
- 3 MARKING
- R REWORK

THE CONTENTS OF THIS DOCUMENT ARE PROPRIETARY TO NAVITAR, ITS USE IS AUTHORIZED ONLY FOR RESPONDING TO REQUEST FOR QUOTATION OR PERFORMANCE OF WORK FOR NAVITAR



FINISH:

TOLERANCES AS FOLLOWS

DEC. .XXX ± .005  
DEC. .XX ± .010  
FRACT. ± 1/64  
ANGLES ± 30'  
CONCENTRICITY .003 TIR  
BREAK ALL SHARP EDGES .005 MIN. .010 MAX.  
MAX. SURF. ROUGHNESS: 32 √

SCALE: 1:1

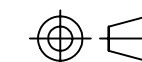
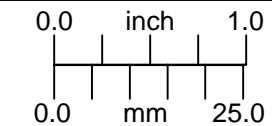
DR: JK

CH: PB

APP: PB

DATE DR: 9/30/2004

DO NOT SCALE DRAWING



25mm FIXED LENS ASS'Y

SIZE  
B

MCL1028

SHEET 1 OF 1

REV  
A

CHAMFER ALL THREADS 30° TO ROOT DIAMETER