
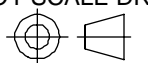


OUTLINE

UNLESS OTHERWISE SPECIFIED DIMENSIONS ARE IN INCHES AND INCLUDE CHEMICALLY APPLIED OR PLATED FINISHES		THE CONTENTS OF THIS DOCUMENT ARE PROPRIETARY TO NAVITAR. ITS USE IS AUTHORIZED ONLY FOR RESPONDING TO REQUEST FOR QUOTATION OR PERFORMANCE OF WORK FOR NAVITAR		 ROCHESTER, NEW YORK	
SCALE:	1:1	0.0 inch 1.0		672MCL2125 21mm f/2.5 LENS(Cannon)	
WEIGHT:	4.1lbm	0.0 mm 25.0		SIZE	
DR:	DJM	DO NOT SCALE DRAWING		B	
CH:	R. Podlena			1-17258	
PROJECT #:	E2022			SHEET 1 OF 1	
DATE DR:	8/24/2005			REV A	