

USING THE NSX III SUPPORT BRACKET

1. Loosen the lock up screw (figure 1).
2. Insert the top lip (figure 2) of the bracket into the projector opening (figure 3). Be sure to push upwards, at the angle of insertion shown, to properly seat the bracket. When the bracket is in place, tighten the lock up screw.
3. Push foot release button (figure 1) and the leg will drop to the table. This leg will support the projector when used in conjunction with the leveling leg supplied by Kodak.
4. For customers using the bracket in conjunction with the Navitar Xenon 560AF or 750AF, you must remove the elevation foot and lock screw (figure 1) before inserting the bracket.
5. Be sure to select the appropriate support disc (figure 2) for the lens you are using. The small disc is used with the GNZ-6935 and the GNZ-812. The large disc is used with all other focal length Navitar lenses.

figure 1

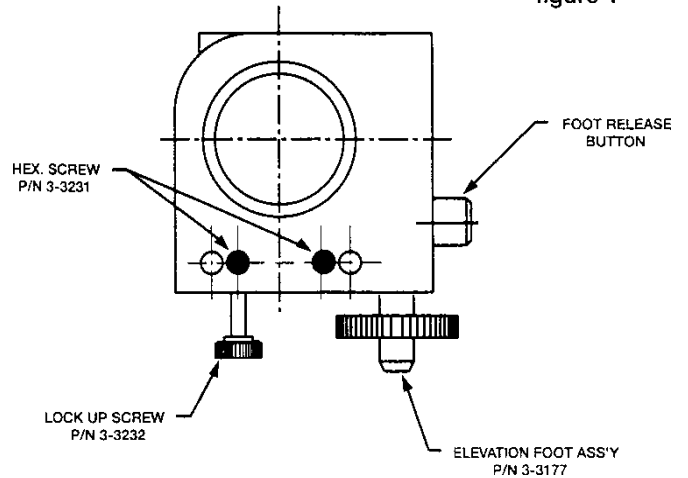


figure 2

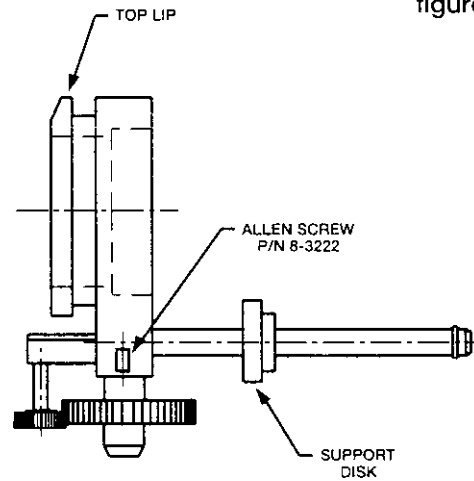
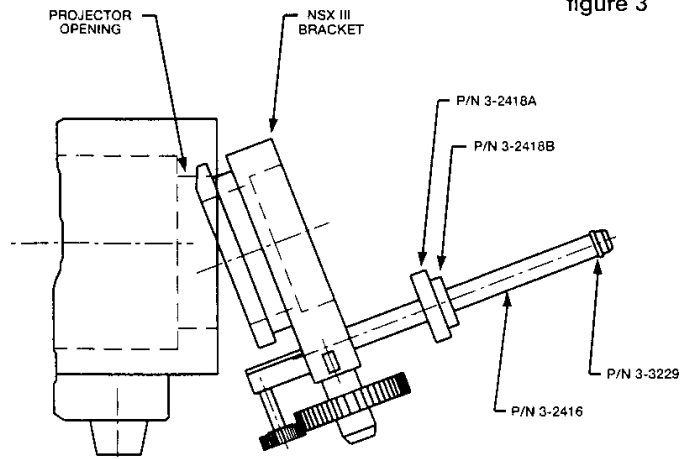


figure 3



Navitar, Inc.
 200 Commerce Drive
 Rochester, NY 14623
 Phone (585) 359-4000
 or (800) 828-6778
 Fax (585) 359-4999
 Internet: <http://navitar.com>
 Email: info@navitar.com